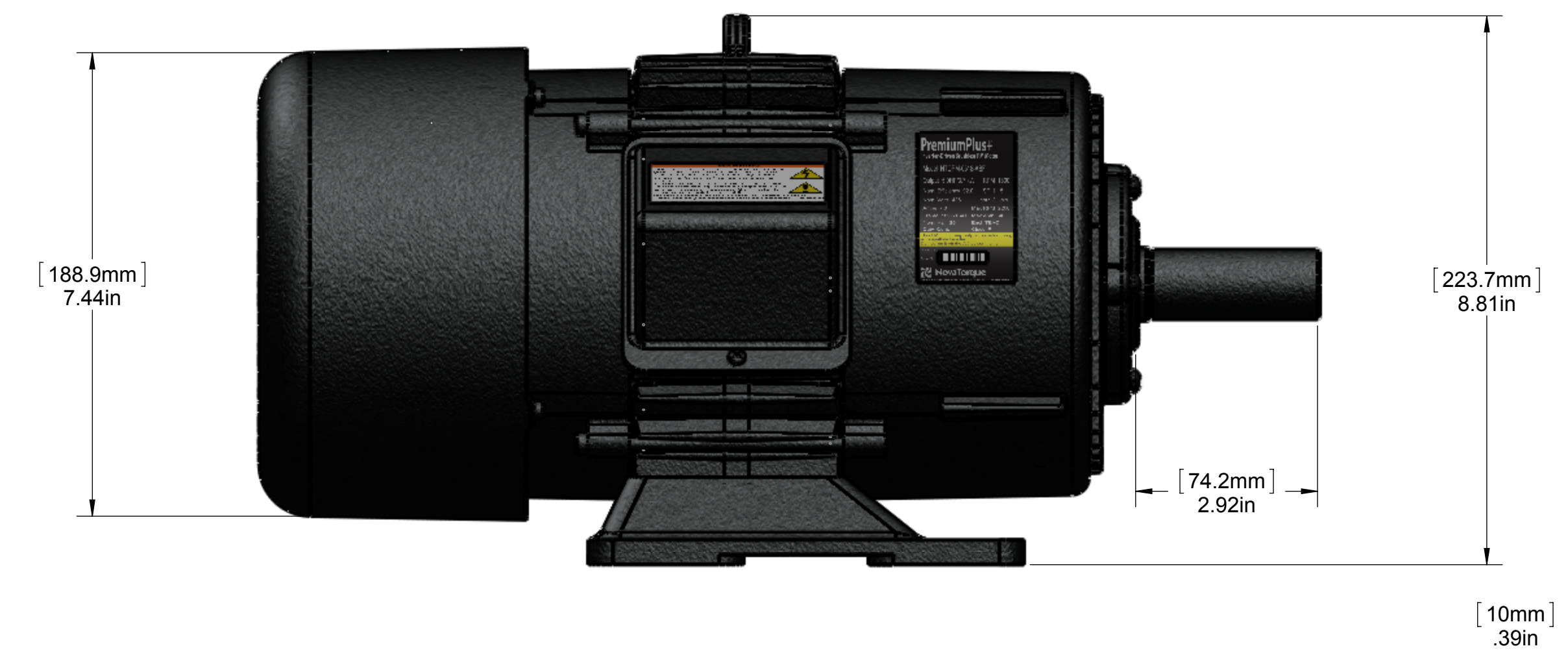
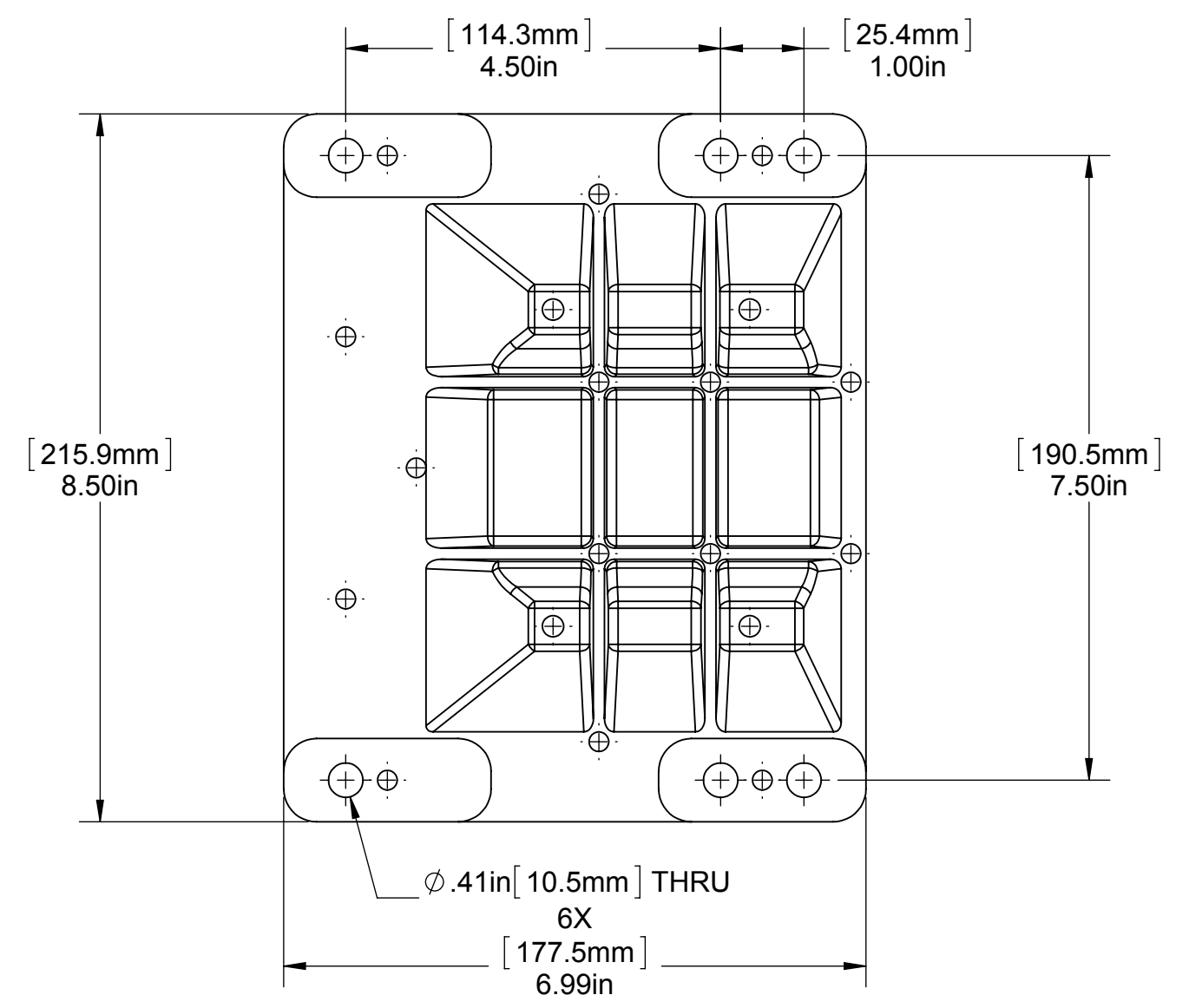
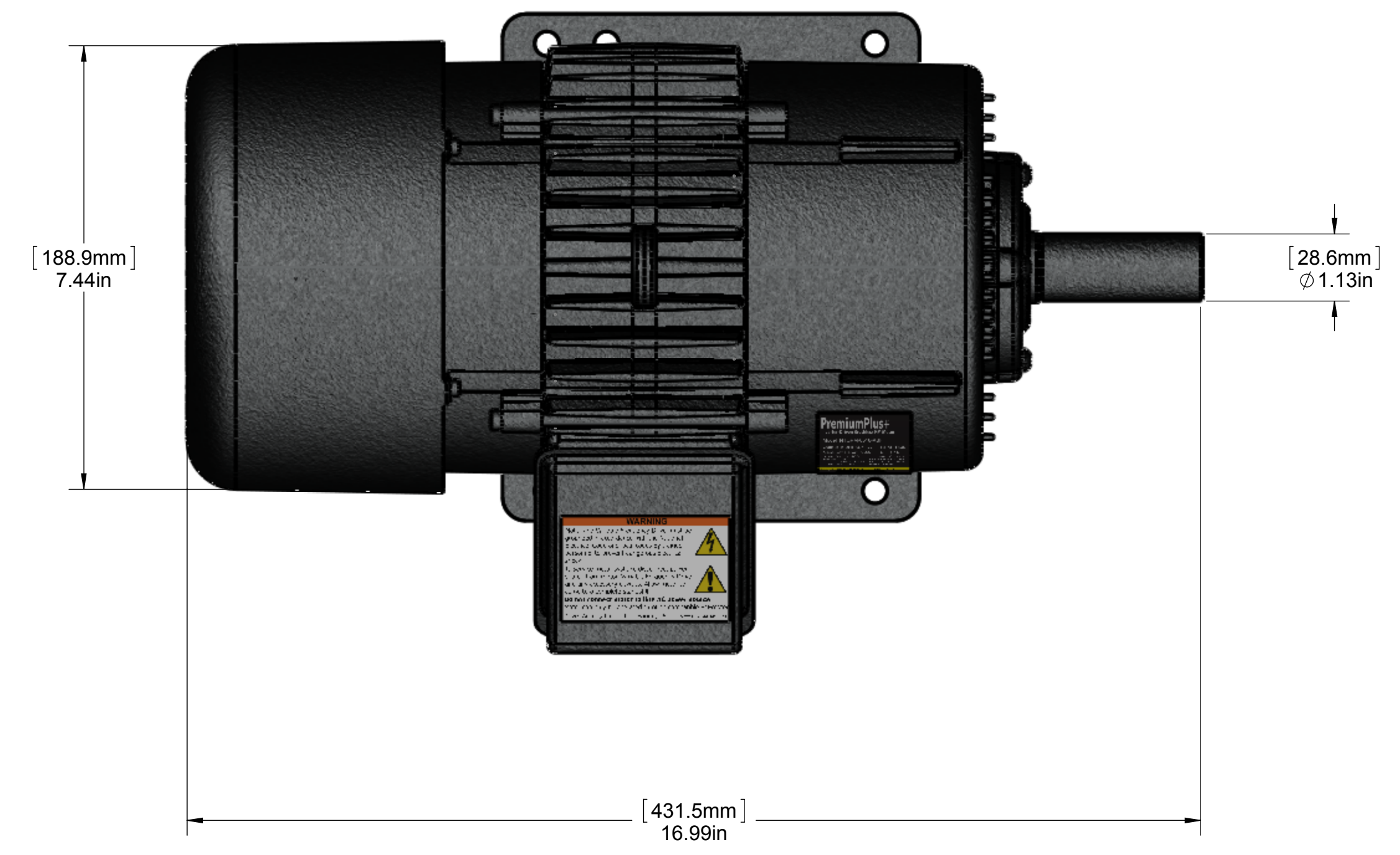




REV.	DAR	DESCRIPTION	DATE	APRVD
01		INITIAL RELEASE	12/29/2011	emos



UNLESS OTHERWISE SPECIFIED:  THIRD ANGLE PROJECTION		NovaTorque Inc. 145 N WOLFE ROAD SUNNYVALE, CA, 94086 408.739.2400			
DIMENSIONS ARE IN mm (UNLESS OTHERWISE SPECIFIED) [INCHES IN BRACKETS] ANGLE x ± .1° HOLES + .005 X.X ± .02 X.XX ± .01		NAME: E. MOSS DATE: 12/29/2011 CHECKED: M. KENNEDY DATE: 12/29/2011		TITLE: <b>MOTOR PACKAGED          AND LABELED 400V          5 HP FAN</b>	
MATERIAL: FINISH: CAD GENERATED DO NOT MANUALLY UPDATE		INTERPRET GEOMETRIC TOLERANCING PER: ANSI Y14.5-1994		PROPRIETARY AND CONFIDENTIAL THE INFORMATION CONTAINED IN THIS DRAWING IS THE SOLE PROPERTY OF NOVATORQUE, INC. ANY REPRODUCTION IN PART OR AS A WHOLE WITHOUT THE WRITTEN PERMISSION OF NOVATORQUE, INC. IS PROHIBITED.	
		SIZE: DWG. NO. <b>D 520-00110-004</b>		REV <b>01</b>	
		DO NOT SCALE DRAWING		SHEET 1 OF 1	

520-00110-004 MOTOR PACKAGED AND LABELED 400V 2200 RPM 5 HP FAN